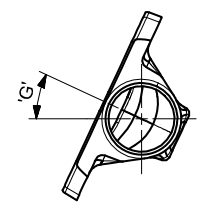
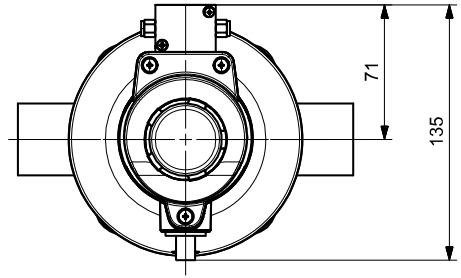
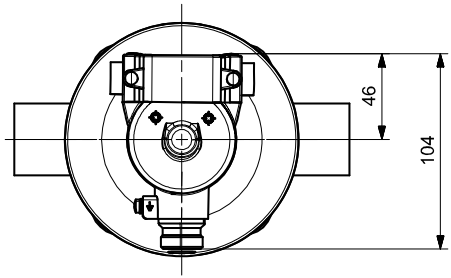
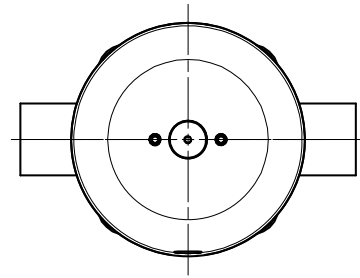
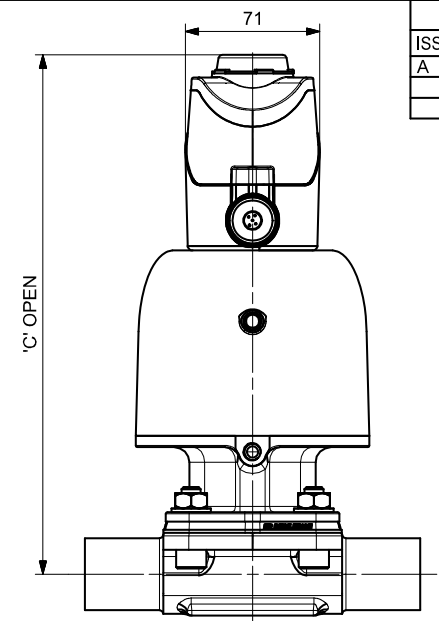
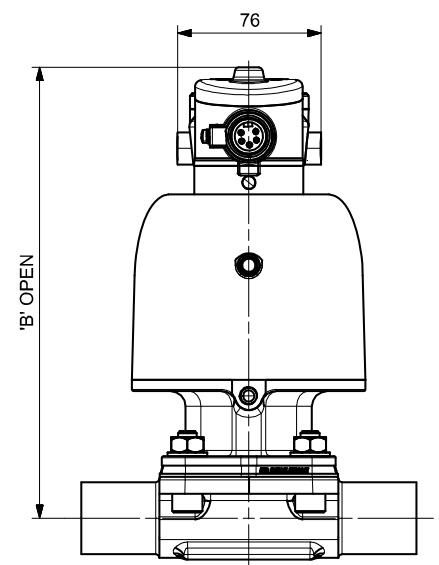
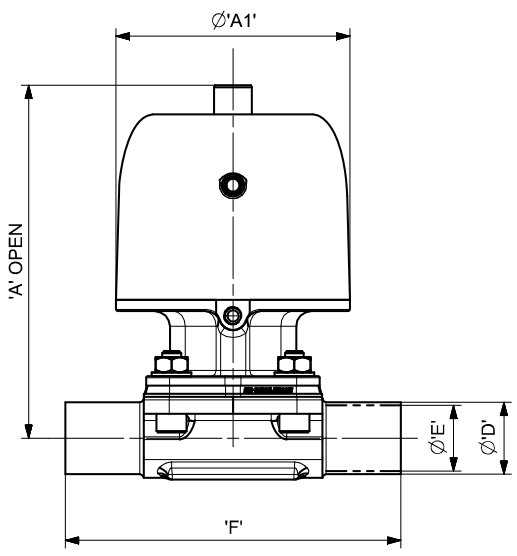


AMMENDMENT RECORD			
ISSUE	DESCRIPTION	DATE	APPROVAL
A	FIRST ISSUE	18.01.19	RI



DRAIN ANGLE  
TOLERANCE = ± 2 °

P345 ACTUATOR  
(ALL MODES)

P345 ACTUATOR  
WITH M-VUE SENSOR  
(ALL MODES)

P345 ACTUATOR  
WITH I-VUE SENSOR  
(ALL MODES)

VALVE SIZE	A		A1		B		C		D		E		F		G	
	mm	inch	mm	inch	mm	inch	mm	inch	mm	inch	mm	inch	mm	inch		DEGREES
DN8	0.25	90.8	3.57	59.0	2.32	152.9	6.02	187.9	7.40	12.7	0.50	9.4	0.37	78.0	3.07	35
DN15	0.50	117.4	4.62	71.0	2.80	179.15	7.05	214.2	8.43	12.7	0.50	9.4	0.37	130.0	5.12	41
DN20	0.75	138.6	5.46	92.0	3.62	197.1	7.76	232.1	9.14	19.05	0.75	15.75	0.62	139.7	5.50	32
DN25	1.00	146.6	5.77	110.0	4.33	204.7	8.06	239.7	9.44	25.4	1.00	22.1	0.87	149.4	5.88	30
DN40	1.50	189.2	7.45	124.0	4.88	241.7	9.52	276.7	10.89	38.1	1.50	34.8	1.37	177.8	7.00	25
DN50	2.00	247.2	9.73	155.0	6.10	291.7	11.48	326.7	12.86	50.8	2.00	47.5	1.87	193.5	7.62	24
DN65	2.50	300.5	11.83	183.5	7.22	338.0	13.31	373.0	14.69	63.5	2.50	60.2	2.37	217.0	8.54	19
DN80	3.00	384.8	15.15	239.0	9.41	412.3	16.23	447.3	17.61	76.2	3.00	72.9	2.87	254.0	10.00	24
DN100	4.00	415.4	16.35	270.0	10.63	442.9	17.44	477.9	18.81	101.6	4.00	97.38	3.83	332.0	13.07	15

ALL DIMENSIONS IN mm UNLESS OTHERWISE STATED.  
 The Information on this sheet is Private and Confidential and is the property of Crane Process Flow Technologies Limited and must not be published directly or indirectly in any manner what so ever without the written permission of the Company and must not be used in any way detrimental to their interests.  
 © Crane Process Flow Technologies



Title:  
**SCHEDULE OF LEADING DIMENSIONS FOR 2-WAY MKIII FORGED BODY WITH BUTT WELD OD TUBE ENDS. COMPLIANT WITH ASME BPE STANDARD. FITTED WITH P345 AND M-VUE / I-VUE OPTIONS**

Drawn: <b>RI</b>	Date: <b>18.01.19</b>	First Angle Projection <b>Method E</b>	Folder: <b>GENERAL ARRANGEMENTS</b>
Checked: <b>RND</b>	Date: <b>18.01.19</b>		Sub-Folder: <b>CGA NUMBERS</b>
PED Signature: <b>ABS</b>	Scale: <b>NTS</b>		Bio-Block Code: <b>N/A</b>
Machining Model No.: <b>CGA-7903</b>	Drawing Number: <b>CGA-7903 dwg1</b>		Issue: <b>A</b>