



Available in stock
for Special Alloy Ball Valves

SPECIAL ALLOY VALVES

SS904L
MONEL
DUPLEX
ALLOY 20
TITANIUM
HASTELLOY
SUPER DUPLEX

1000 & 2000psi Three Pieces Threaded Ball Valves 1/4" ~ 4"

1000 & 2000psi Three Pieces Socket Welded Ball Valves 1/4" ~ 4"

1000 & 2000psi Three Pieces Butt Welded Ball Valves 1/4" ~ 4"

1000 & 2000psi Two Pieces Threaded Ball Valves 1/4" ~ 3"

ANSI Class 150/300 Two Pieces Flanged Ball Valves 1/2"~12"

ANSI Class 150 Three Pieces Flanged Ball Valves 1/2"~4"





2000PSI

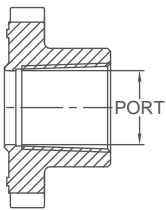
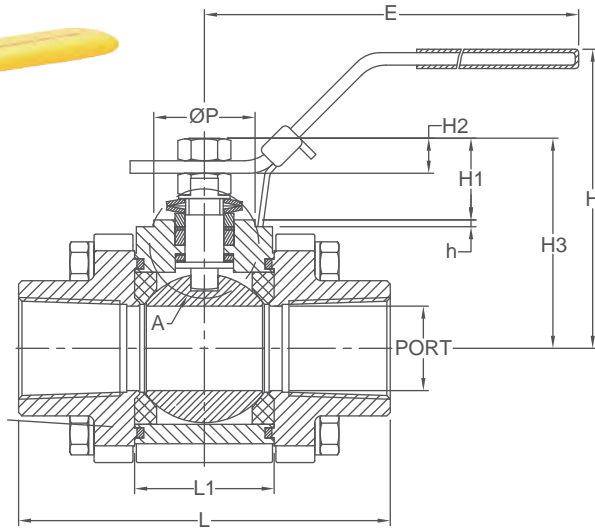
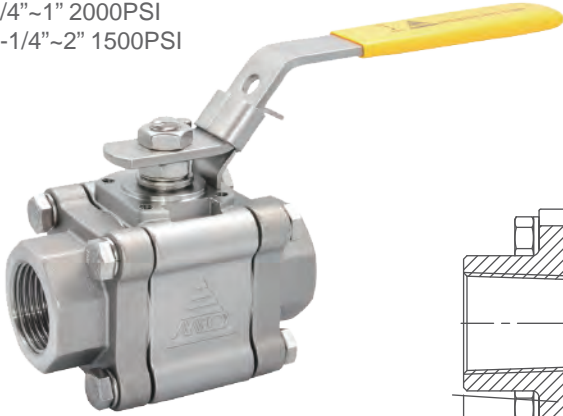
Three Pieces Full Bore Ball Valve

Threaded / Socket Weld / Butt Weld End

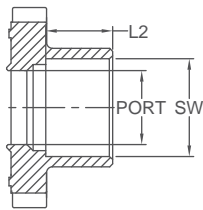
V255FS Series

V255FS 2000PSI Three Pieces Full Bore Ball Valve • TH/SW/BW

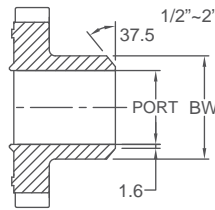
SIZE : 1/4" ~ 2"
 1/4"~1" 2000PSI
 1-1/4"~2" 1500PSI



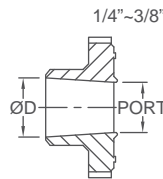
Threaded End



Socket Weld End



Butt Weld End



FEATURES

- Investment Casting Construction
- Full Bore / Blow-Out-Proof Stem Design
- 3-Pieces Body Design with 8 Bolts
- ISO 5211 Mounting Flange for Pneumatic or Electric Actuator
- ABS Type Approval for Marine, Offshore Platform, and Industrial Applications - Water, Oil, and Air
- NACE MR0175 is available upon request
- 2000PSI for 1/4" ~ 1" / 1500PSI for 1-1/4" ~ 2"



Standard

- Design ANSI B16.34 Class 600 / API 608
- Threaded End NPT/ BS 21(BSP) / BSPT / ISO 228-1 / DIN 2999 / ISO 7-1Rp
- Socket ASME/ANSI B16.11
- Butt Weld End ASME/ANSI B16.25
- Material ASTM
- Pressure Testing API 598

Available Materials

- Alloy 20 ASTM A351 GR.CN7M
- Hastelloy C276 ASTM A494 GR.CW12MW
- Duplex ASTM A890/995 GR.CD3MN
- Super Duplex ASTM A890/995 GR.CE3MN
- Monel 400 ASTM A494 GR.M-35-1
- SS904L Casting / ANSI SS904L

ALLOY 20
 HASTELLOY
 MONEL
 DUPLEX
 SUPER DUPLEX
 SS904L

V255FS

APPROVED

API 607 6TH Edition
 ISO 10497
 ABS Type Approval
 ISO 9001
 PED 97/23/EC Module H
 CRN Registration

DESIGN

ANSI B16.34 Class 600
 API 608
 NPT / BS 21(BSP) /
 BSPT / ISO 228-1 /
 DIN 2999 / ISO 7-1 Rp
 SW - ANSI B16.11
 BW - ANSI B16.25
 ISO 5211



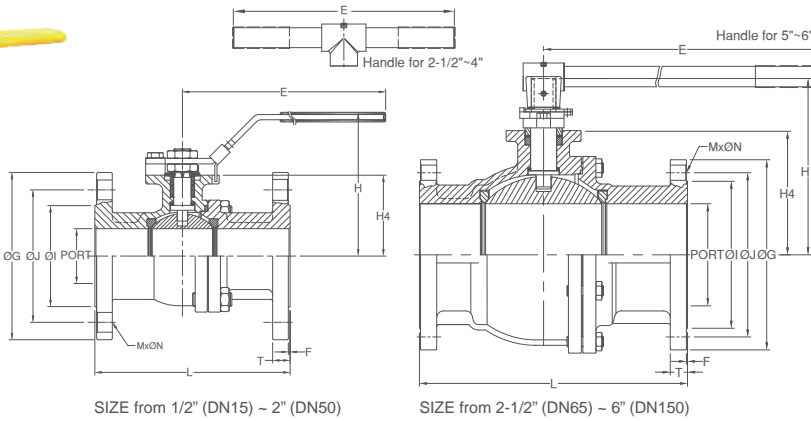
ANSI Class 150/300

Two Pieces Flanged Ball Valve

MD32/MD82 Series

MD-32 1/2"~6" ANSI Class 150/300 Two Pieces Flanged Ball Valve

ANSI Class 150
ANSI Class 300



FEATURES

- Investment Casting Construction
- Full Bore
- Blow-Out-Proof Stem Design
- 2-Pieces Body Design
- ISO 5211 Mounting Flange for Pneumatic or Electric Actuator
- NACE MR0175 is available
- ASME/ANSI Class 150 / 300

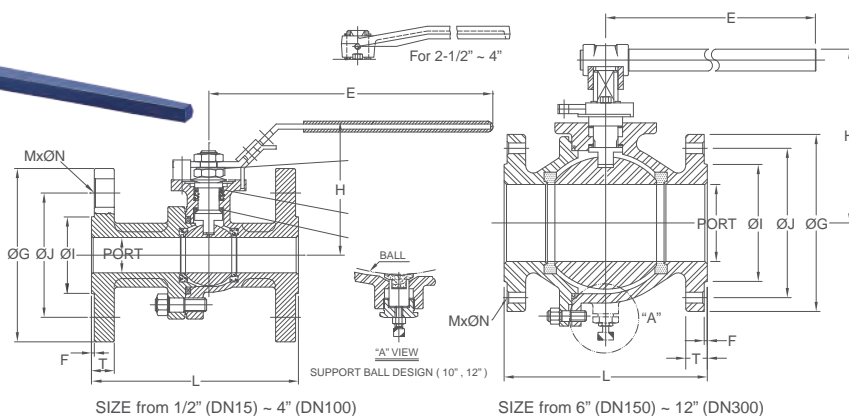


Available Materials

- | | |
|------------------|------------------------|
| • Alloy 20 | ASTM A351 GR.CN7M |
| • Hastelloy C276 | ASTM A494 GR.CW12MW |
| • Duplex | ASTM A890/995 GR.CD3MN |
| • Super Duplex | ASTM A890/995 GR.CE3MN |
| • Monel 400 | ASTM A494 GR.M-35-1 |
| • SS904L | Casting / ANSI SS904L |

MD-82 1/2"~12" ANSI Class 150/300 Two Pieces Flanged Ball Valve

ANSI Class 150
ANSI Class 300



FEATURES

- Investment Casting Construction
- Full Bore
- Blow-Out-Proof Stem Design
- 2-Pieces Body Design
- ISO 5211 Mounting Flange for Pneumatic or Electric Actuator
- ABS Type Approval for Marine, Offshore Platform, and Industrial Applications - Water, Oil, and Air
- NACE MR0175 is available
- ASME/ANSI Class 150 / 300



Available Materials

- | | |
|------------------|------------------------|
| • Alloy 20 | ASTM A351 GR.CN7M |
| • Hastelloy C276 | ASTM A494 GR.CW12MW |
| • Duplex | ASTM A890/995 GR.CD3MN |
| • Super Duplex | ASTM A890/995 GR.CE3MN |
| • Monel 400 | ASTM A494 GR.M-35-1 |
| • SS904L | Casting / ANSI SS904L |

ALLOY 20
HASTELLOY
MONEL
DUPLEX
SUPER DUPLEX
SS904L

MD-32/MD82

APPROVED

API 607 6TH Edition

ISO 10497

ABS Type Approval

TA-LUFT

ISO15848

ISO 9001

PED 97/23/EC Module H

CRN Registration

DESIGN

ANSI B16.34

API 608

Face to Face :

ANSI B16.10

Flange Dimension :

ANSI B16.5

ISO 5211



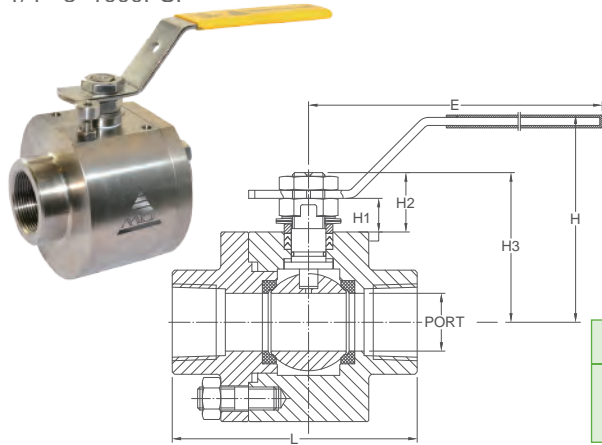


TITANIUM

Two Pieces Flanged Ball Valve
Two Pieces Threaded Ball Valve
Three Pieces Threaded Ball Valve
ANSI Class 150 / 1000PSI

V-C06 Full Bar Machined 1000PSI Two Pieces Full Bore Ball Valve

SIZE : 1/4" ~ 3"
 1/4"~3" 1000PSI



DESIGN FEATURES

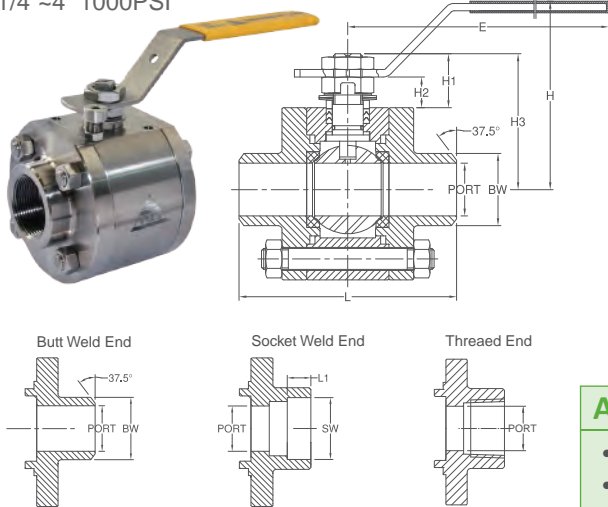
- Machined by Bar Material
- Valve Design as per ANSI B16.34
- 2-Pieces Body Design, Full Bore
- Blow-Out-Proof Stem Design
- End Connection :
 NPT / BS21(BSP) / BSPT /
 ISO 228-1 / DIN2999 / ISO 7-1Rp
- NACE MR0175 is available

Available Materials

- Titanium ASTM B381 GR.F2
- Titanium ASTM B381 GR.F5

V-C05 Full Bar Machined 1000PSI Three Pieces Full Bore Ball Valve

SIZE : 1/4" ~ 4"
 1/4"~4" 1000PSI



DESIGN FEATURES

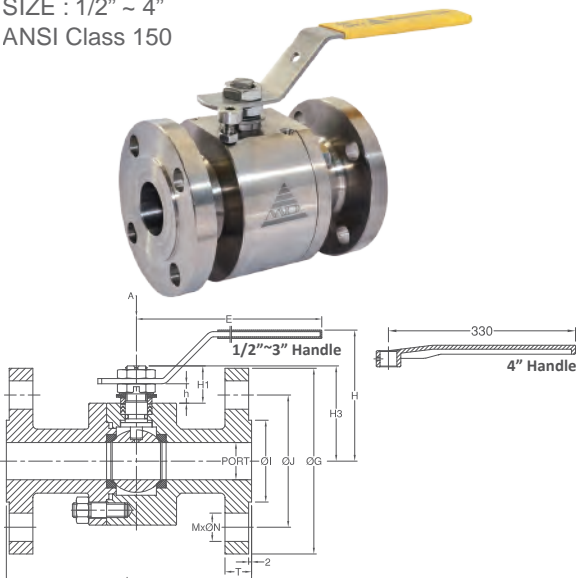
- Machined by Bar Material
- Valve Design as per ANSI B16.34
- 3-Pieces Body Design, Full Bore
- Blow-Out-Proof Stem Design
- End Connection :
 NPT / BS21(BSP) / BSPT /
 ISO 228-1 / DIN2999 / ISO 7-1Rp /
- ANSI B16.11 / ANSI B16.25
- NACE MR0175 is available

Available Materials

- Titanium ASTM B381 GR.F2
- Titanium ASTM B381 GR.F5

MD-C2 Full Bar Machined ANSI Class150 Two Pieces Flanged Ball Valve

SIZE : 1/2" ~ 4"
 ANSI Class 150



DESIGN FEATURES

- Machined by Bar Material
- Valve Design as per ANSI B16.34
- 2-Pieces Body Design, Full Bore
- Blow-Out-Proof Stem Design
- Flange Face to Face :
 ANSI B16.10 Class 150/300 RF
- Flange Dimension :
 ANSI B16.5 Class 150/300
- NACE MR0175 is available

Available Materials

- Titanium ASTM B381 GR.F2
- Titanium ASTM B381 GR.F5

TITANIUM
GR.F2

TITANIUM
GR.F5

V-C06
V-C05
MD-C2

APPROVED

ISO 9001
 PED 97/23/EC Module H
 CRN Registration

DESIGN

Threaded & Welded End

ANSI B16.34
 NPT / BS 21(BSP)
 / BSPT / ISO 228-1
 / DIN 2999 / ISO 7-1 Rp

SW - ANSI B16.11
 BW - ANSI B16.25
 ISO 5211

Flanged End

Flange Face to Face :
 ANSI B16.10
 Flange Dimension :
 ANSI B16.5
 ISO 5211





SPECIAL ALLOY MATERIAL LIST www.modentic.com.tw

Alloy20 / Hastelloy / Duplex / Monel / Titanium / Super Duplex / SS904L

• Other Alloy Materials can be offered upon request •

Material Chart

Material Code	Elements Content (%)	Casting		
		ASTM	DIN	UNS
Austenitic Stainless Steel				
General				
SS304	19Cr-9Ni	CF8	1.4308	J92600
SS304L	19Cr-9Ni-C<0.03%	CF3	1.4306	J92500
SS347	19Cr-10Ni-Nb	CF8C	1.4552	J92710
Specific				
SS316	19Cr-10Ni-2.5Mo	CF8M	1.4408	J92900
SS316L	19Cr-10Ni-2.5Mo-C<0.03%	CF3M	1.4404	J92800
SS317	19Cr-11Ni-3.5Mo	CG8M	1.4437	J93000
SS317L	19Cr-11Ni-3.5Mo-C<0.03%	CG3M	1.4438	J92999
Super Austenitic Stainless Steel				
904L	21Cr-25Ni-4.5Mo-1.5Cu-N	-	1.4539	-
254 SMO	20Cr-18Ni-6.5Mo-Cu-N	A351 CK3MCuN	1.4547	J93254
Highly Corrosion-Resistant Alloy				
Austenitic Stainless Steel (Iron base)				
Alloy 20	29Ni-20Cr-3.5Cu-2.5Mo	A351 CN7M	2.4660	J95150
Ni-Mo Alloy				
Hastelloy B	28Mo-5Fe-V	A494 N-12MV	2.4882	N30012
Hastelloy B2	28Mo-1Fe	A494 N-7M	2.4617	N30007
Ni-Cr-Mo Alloy				
Hastelloy C276	16Cr-17Mo-6Fe-4W-V	A494 CW12MW	2.4686	N30002
Hastelloy C22	21Cr-13.5Mo-4Fe-3W	A494 CX2MW	2.4602	N26022
Ni-Cu Alloy				
Monel 400	65Ni-32Cu	A494 M-35-1	2.4365	N24135
Nickel				
Nickel CZ100	97Ni	A494 CZ-100	2.4066	N02100
Titanium				
Grade 2	99Ti	B367 C2		
Grade 5	6Al-4V	B367 C5		
High Temperature Alloy (Nickel base)				
Inconel 600	15Cr-8Fe	A494 CY-40	2.4816	N06040
Inconel 625	22Cr-9Mo-3.5Nb-2.5Fe	A494 CW6MC	2.4856	N26625
Duplex Stainless Steel				
1A	25Cr-5Ni-2Mo-3Cu	A890/A995 Gr.CD4MCu	1.4517	J93370
1B	25Cr-5Ni-2Mo-3Cu-N	A890/A995 Gr.CD4MCuN		J93372
2A	24Cr-10Ni-3.5Mo-N	A890/A995 Gr.CE8MN		J93345
2205/4A	22Cr-5Ni-3Mo-N	A890/A995 Gr.CD3MN	1.4470	J92205
Super Duplex Stainless Steel				
2507/5A	25Cr-7Ni-4Mo-N	A890/A995 Gr.CE3MN	1.4469	J93404
Z100/6A	25Cr-7Ni-3.5Mo-Cu-N-W	A890/A995 Gr.CD3MWCuN	1.4471	J93380
329	25Cr-4Ni-Mo		1.4460	



For more information, please contact md_sales@ms.modentic.com.tw

PRODUCT RANGE

- API 607 FIRE SAFE APPROVED BALL VALVE
- FUGITIVE EMISSION APPROVED BALL VALVE
- SPECIAL ALLOY VALVE
- HIGH PURITY BALL VALVE
- SOFT SEAT BALL VALVE
- AUTOMATION VALVE
- METAL SEATED BALL VALVE
- TRUNNION BALL VALVE
- HIGH PRESSURE BALL VALVE
- BUTTERFLY VALVE

KEVIN STEEL CORPORATION

Main Office :

14F-3, No.89, Sec. 1, Zhongqing Rd.,
North Dist., Taichung City 40458, Taiwan
TEL : + 886-4-22071786 FAX : + 886-4-22071696

Factory :

No.9, Wugong 6th Rd.,
Wufeng Dist., Taichung City 41353, Taiwan
TEL : + 886-4-23317777 FAX : + 886-4-23317032

E-Mail : md_sales@ms.modentic.com.tw

<http://www.kevinsteel.com.tw>

<http://www.valvebus.com>

<http://www.modentic.com.tw>