



V-655

Three Pieces Ball Valve

2000/1500/1000 PSI
1/4" ~ 4"



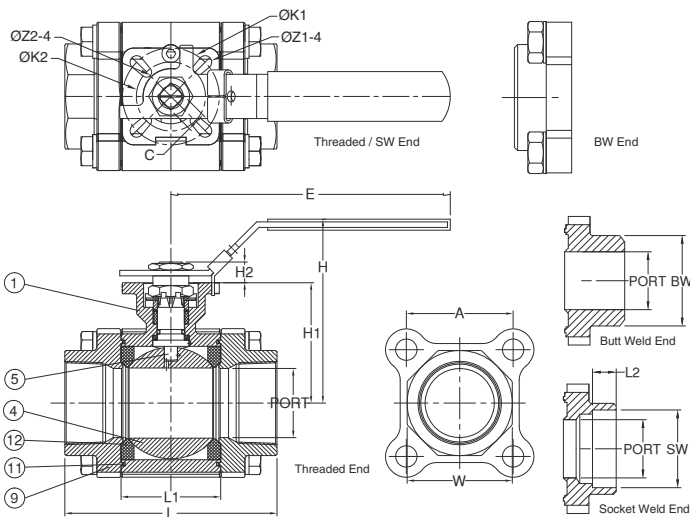
ISO 15848-1
Fugitive
Emission
Approved



API 607
6th Edition
Fire Safe
Approved

ISO 5211 Direct Mounted
8 Bolts Design

DRAWING



FEATURES

- Investment Cast Body Construction
- ISO 5211 Direct Mounting Flange
- 3 Pieces Body Design with 8 Bolts
- In-Line Maintenance
- Blow-Out-Proof Stem Design & Anti-Static Device
- Available for Pneumatic or Electric Actuator
- NACE MR0175 is available upon request
- Super Alloy materials for highly corrosive medium are available upon request

AUTOMATION
AVAILABLE

SPECIFICATIONS

- Size Range: 1/4" ~ 2" (DN8 ~ DN50)
- End Connection: Threaded / Socket / Butt Weld Ends
- Working Pressure: 2000 PSI (CWP) for 1/4" ~ 1"
1500 PSI (CWP) for 1-1/4" ~ 2"
1000 PSI (CWP) for 2-1/2" ~ 4"
- Steam Pressure: 150 PSIG. Saturated Steam for RTFE.
- Temperature Range: -4 to 356 °F (-20 to 180 °C) for RTFE.

STANDARDS

- Design: ASME/ANSI B16.34
- Mounting Flange: ISO 5211
- Threaded End: NPT/ BS 21 (BSP) / BSPT / ISO 228-1 / DIN 2999 / ISO 7-1Rp
- Socket Weld End: ASME/ANSI B16.11
- Butt Weld End: ASME/ANSI B16.25
- Face to Face: MFG
- Material: ASTM
- Pressure Testing: API 598

CERTIFICATE

- Fire Safe: API 607 6th Edition / ISO 10497
- Fugitive Emission: ISO 15848-1 & TA-LUFT
- Quality Assurance: ISO 9001
- Material Certificate: EN 10204-3.1 MTR
- CE Approval: PED 2014/68/EU Module H
- Canadian Certificate: CRN

MATERIAL LIST

		GENERAL MATERIAL : CF8M / WCB
1	BODY & CAP	** SPECIAL ALLOY ** CN7M(Alloy 20) / CW12MW(Hastelloy C276) / CD3MN(4A/Duplex) / CE3MN(5A/Super Duplex) / M35-1(Monel 400) / SS904L
4	BALL	CF8M / CN7M(Alloy 20) / M35-1(Monel 400) / CD3MN(4A/Duplex) / CE3MN(5A/Super Duplex) / CW12MW(Hastelloy C276) / SS904L
5	STEM	SS316 / N08020 / N04400 / S31803 / S32750 N10276 / N08904
11	BODY SEAL	GRAPHITE / PTFE
12	SEAT	RTFE. (15%G.F.) / TFM1600