

FEATURES

- Investment Cast Body Construction
- 4 Pieces of Seats Design
- ISO 5211 Mounting Flange
- Blow-Out-Proof Stem Design
- Available for either L-Port or T-Port
- Locking Device **OPTION**
- Cavity Filled Seats Design **OPTION**
- Threaded End is available upon request

AUTOMATION AVAILABLE

SPECIFICATIONS

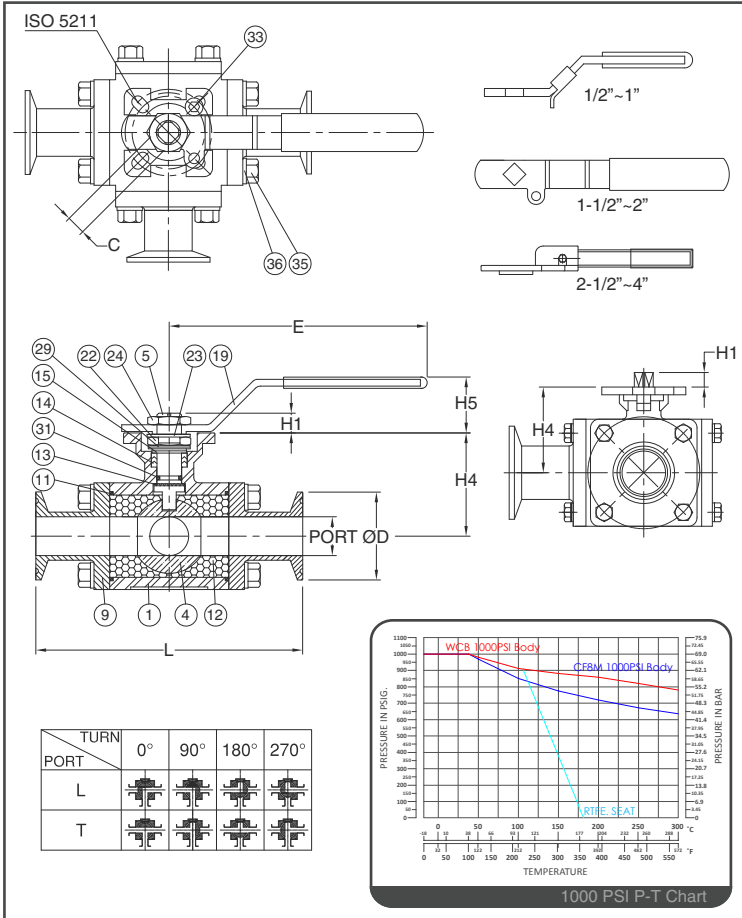
- Size Range 1/2" ~ 2" (DN15 ~ DN50)
- End Connection Tri-Clamp End
- Working Pressure 1000PSI (CWP) for 1/2" ~ 2"
- Steam Pressure 150 PSIG. Saturated Steam for PTFE.
- Temperature Range -4 to 356 °F (-20 to 180 °C) for PTFE.

STANDARDS

- Design ASME/ANSI B16.34
- Mounting Flange ISO 5211
- Tri-Clamp End 3A
- Face to Face MFG
- Material ASTM
- Pressure Testing API 598

CERTIFICATE

- Quality Assurance ISO 9001
- Material Certificate EN 10204-3.1 MTR
- CE Approval PED 97/23/EC Module H
- Canadian Certificate CRN



MATERIAL LIST

NO.	PART NAME	MATERIAL (more options available)
1	BODY	ASTM A351 Gr.CF8M / CF3M
4	BALL	ASTM A351 Gr.CF8M / CF3M
5	STEM	ASTM A276 Gr.316 / 316L
9	END CAP	ASTM A351 Gr.CF8M / CF3M
11	BODY SEAL	PTFE.
12	SEAT	PTFE. (Cavity Filled Seat)
13	THRUST WASHER	PTFE.
14	STEM PACKING	PTFE.
15	GLAND	SS304
19	HANDLE	SS304
22	STEM NUT	SS304
23	HANDLE WASHER	SS304
24	HANDLE NUT	SS304
29	BELLEVILLE WASHER	SS304
30	TAB WASHER	SS304
31	O-RING	VITON
33	STOP PIN	SS304
35	BODY BOLT	SS304
36	BODY BOLT NUT	SS304

DIMENSION

		unit : mm													
SIZE	PORT	L	L1	L2	E	H1	H3	H4	F	N	C	ØD	ISO 5211		
DN15	1/2"	9.5	118.0	69.5	46.5	143	9	26	44.5	46.5	70.0	9	25.4	36/F03 42/F04	
DN20	3/4"	15.8	127.0	73.5	52.0	143	9	26	48.0	51.5	74.5	9	25.4	36/F03 42/F04	
DN25	1"	22.2	152.4	81.0	60.5	160	11	32	59.0	60.5	82.0	11	50.4	42/F04 50/F05	
DN40	1-1/2"	35.0	175.0	107.5	79.5	187	14	42	72.0	79.5	104.5	14	50.4	50/F05 70/F07	
DN50	2"	47.6	190.0	122.5	99.5	187	14	42	82.0	99.5	123.5	14	63.9	50/F05 70/F07	

DIMENSION

		unit : inch													
SIZE	PORT	L	L1	L2	E	H1	H3	H4	F	N	C	ØD	ISO 5211		
DN15	1/2"	0.37	4.65	2.74	1.83	5.63	0.35	1.02	1.75	1.83	2.76	0.35	1.00	1.42/F03 1.65/F04	
DN20	3/4"	0.62	5.00	2.89	2.05	5.63	0.35	1.02	1.89	2.03	2.93	0.35	1.00	1.42/F03 1.65/F04	
DN25	1"	0.87	6.00	3.19	2.38	6.30	0.43	1.26	2.32	2.38	3.23	0.43	1.98	1.65/F04 1.97/F05	
DN40	1-1/2"	1.38	6.87	4.23	3.13	7.36	0.55	1.65	2.83	3.13	4.11	0.55	1.98	1.97/F05 2.76/F07	
DN50	2"	1.87	7.48	4.82	3.92	7.36	0.55	1.65	3.23	3.92	4.86	0.55	2.52	1.97/F05 2.76/F07	