



Simplified sampling valve
with membrane
for tank or process line
and low viscosity liquids

PEMS®



Membrane:



Optional
membrane:



OVERVIEW:

The PEMS sampling valve is used to take a sample of clear or low viscosity liquid from a process line or tank in order to carry out quality and/or bacterial controls. Valve sealing is obtained by a membrane. The hygienic design guarantees there is no retention zone (an ideal place for bacteria to develop) and is easy to clean. Its hygienic qualities, as well as its easy assembly and maintenance, make it a reference on the market.

KEY BENEFITS:

- ▲ Hygienic design with flared body
- ▲ Low acquisition and usage cost
- ▲ Modular opening
- ▲ Easy to use and easy maintenance

APPLICATIONS:

- ▲ Sampling on the tank or transfer line of a clear or low viscosity liquid (non sticky, non sugary and non solidifying)
- ▲ Equipment especially suited to sampling of products subject to quality and/or bacterial controls

TECHNICAL SPECIFICATIONS:

Sizes: DN 6 and DN 10

Intake connection: To weld

Outlet connection: Smooth

CIP connection (optional): Smooth, Clamp

Service pressure: From 0.1 to 6.0 bar

Service temperature: from 0 °C to 120 °C

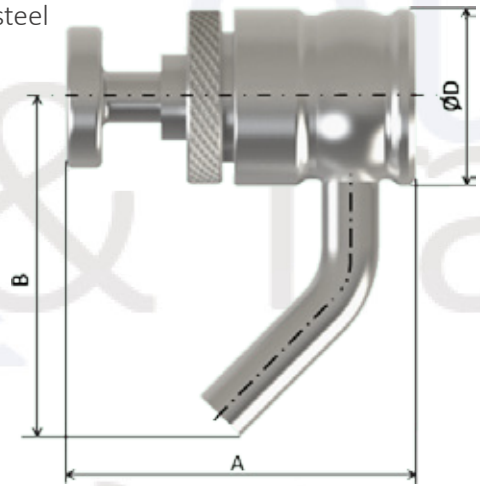
CIP/SIP support: Up to a temperature of 130 °C for 20 to 30 minutes

Materials:

- Parts in contact with the product: 1.4404 (316L) stainless steel
- Other parts: 1.4307 (304L) or 1.4404 (316L) stainless steel
- Sealing: VMQ membrane (Silicone)

DIMENSIONS IN MM:

SIZES	A	B	D
DN 6	49	52	24.5
DN 10	70	57	34.5



OPTIONS:

- Additional intake for passage of CIP liquid
- VMQ (Silicone) or stainless steel cap(s)
- Other intake connections: smooth nozzle to weld, micro-clamp, clamp, female/male (DIN/SMS), thread 1/4, 3/8, 1/2...
- Other outlet connections: micro-clamp, thread 1/4, 3/8, 1/2...
- Other membranes: EPDM (Ethylene Propylene Diene Monomer), NBR (Nitrile rubber), FKM (Fluorocarbon rubber, eq. Viton®), FFKM (Perfluoroelastomer, eq. Kalrez®)
- Membrane USP Class VI compliant
- Customised equipment: please contact us

GUARANTEE:

12 months from the date of delivery (except in the case of special conditions)

COMPLIANCE:

- Ducting and tank accessories compliant with European PED 97/23/EC, §3.3
- Elastomer membranes compliant with FDA CFR 21.177.2600 and 1935/2004/EC ruling
- Optional: Membranes USP Class VI compliant

SERVINOX follows the recommendations of international guidelines and standards relative to hygienic design and construction, in particular those of the EHEDG and 3-A.

Non contractual document and pictures, subject to change with no prior notice.

Only the commercial offer and the technical manual supplied with the equipment may be used for technical and legal purposes.

Servinox is an ISO 9001:2008 certified company

