



In-line hygienic filters
all types of solid bearing liquids

FH ©



Membrane:



Optional
membrane:



OVERVIEW:

The right-angled (FHE) and Y-shaped (FHY) in-line hygienic filters are intended to protect a pump or any other sensitive equipment from solid particles that can be found in a liquid.

Their hygienic design ensures the absence of retention zones (a breeding ground for bacteria) and provides for complete counterflow cleanability. The fluid enters through the axial orifice and exits laterally. Filtration is carried out by a V wire wound in a cylinder, the filtration cut-off being determined by the spacing between the wires. The filtered particles are collected inside the filtering element. This design avoids filter plugging when the liquids contain fibers.

KEY BENEFITS:

- ▲ Filtration cut-off on demand
- ▲ Filtration of all types of liquids: clear, sticky or viscous
- ▲ No retention zone for optimal hygiene
- ▲ Option: magnetic trap
- ▲ Option: double jacket heating element

APPLICATIONS:

- ▲ Transfer lines conveying all types of solid bearing liquids
- ▲ Suitable both for liquids bearing solid particles and fibers

TECHNICAL SPECIFICATIONS:

Sizes:

- **SMS:** 25 mm (1"), 38 mm (1.1/2"), 51 mm (2"), 63.5 mm (2.1/2"), 76.1 mm (3"), 104 mm (4")
- **DIN 11851:** DN 20, DN 25, DN 32, DN 40, DN 50, DN 65, DN 80, DN 100

Connection: Smooth weld

Service pressure: Up to 10 bar

Service temperature: From 0 °C to 120 °C

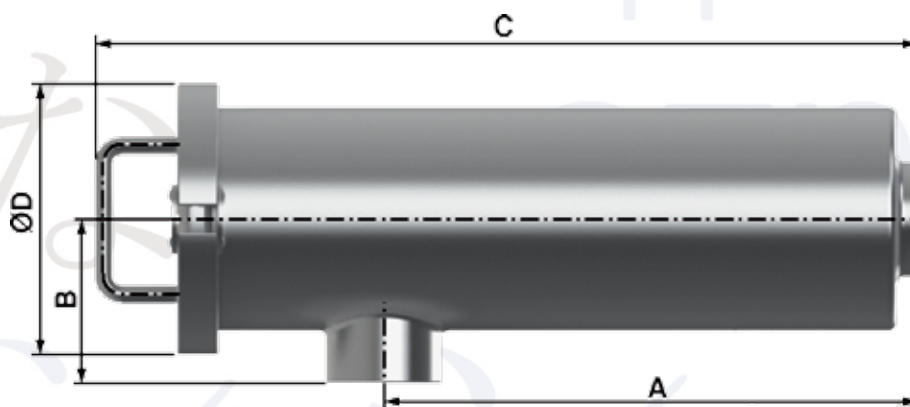
Filtration threshold: 500 µm (from 20 µm with the V type mesh)

Materials:

- Parts in contact with the product: 1.4404 (316L) stainless steel
- Other parts: 1.4307 (304L) stainless steel
- Gaskets in contact with the product: EPDM (Ethylene Propylene Diene Monomer)

DIMENSIONS IN MM:

FHE:

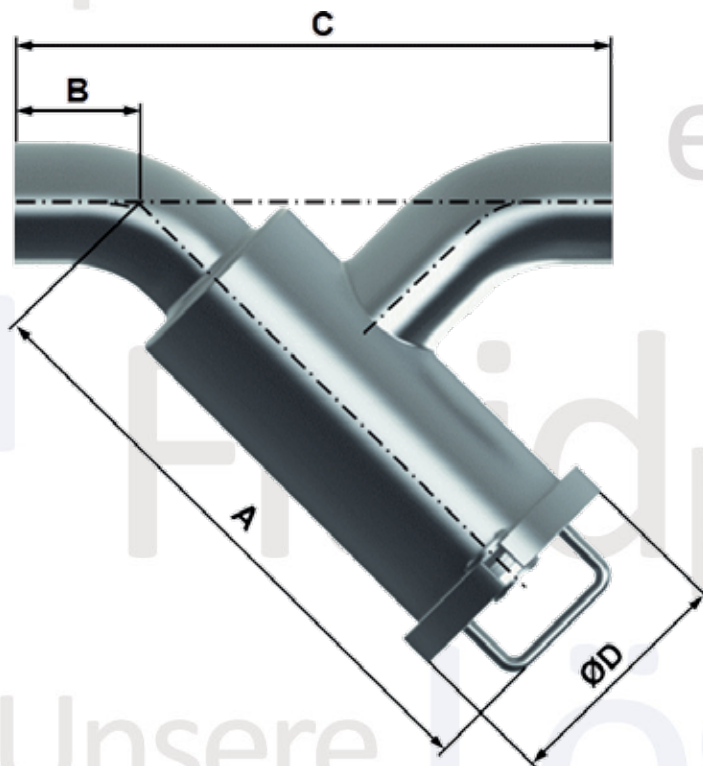


SMS SIZES	25	38	51	63	76	104
A	249	249	249	319	319	397
B	76	76	76	76	76	98
C	268	272	272	346	346	427
D	95	99	99	103	103	128

DN SIZES	DN 20	DN 25	DN 32	DN 40	DN 50	DN 65	DN 80	DN 100
A	249	249	249	249	249	319	319	397
B	76	76	76	76	76	76	76	98
C	273	278	281	282	284	359	364	451
D	100	105	108	109	111	116	121	152

Servinox makes every effort to update its documents in line with improvements to its products.

FHY:



SMS SIZES	25	38	51	63.5	76.1	104
A	162	174	212	265	305	340
B	15	21	31	39	48	44
C	104	128	174	219	256	248
D	70	78	92	112	127	148

DN SIZES	DN 20	DN 25	DN 32	DN 40	DN 50	DN 65	DN 80	DN 100
A	160	162	165	180	212	255	295	340
B	12	15	19	25	31	33	37	44
C	92	106	120	141	166	202	227	248
D	70	70	70	78	92	112	127	148

This data sheet can therefore be updated with no prior notifications.

Servinox is an ISO 9001:2008 certified company



OPTIONS:

- Magnetic bar: stops ferrous metal particles from 25 µm
- Open detection
- Double jacket heating element
- Filtration above 800 µm by perforated stainless steel sheet
- Other filtration cut-offs on demand
- Other types of connectors: Male, clamp, flange
- Other gaskets available: FKM (Fluorocarbon rubber, eq. Viton®), Perbunan®, VMQ (Silicone), etc.
- Gaskets USP Class VI compliant
- Other construction material types and finishes on request
- Customized equipment: please contact us

GUARANTEE:

12 mois à partir de la date de livraison (*sauf conditions particulières*)

COMPLIANCE:

- Piping accessory compliant with European PED 97/23/EC, §3.3
- Elastomer gaskets compliant with FDA CFR 21.177.2600 and 1935/2004/EC ruling
- Optional: Gaskets USP Class VI compliant

SERVINOX follows the recommendations of international guidelines and standards relative to hygienic design and construction, in particular those of the EHEDG and 3-A.

Servinox makes every effort to update its documents in line with improvements to its products.
This data sheet can therefore be updated with no prior notifications.