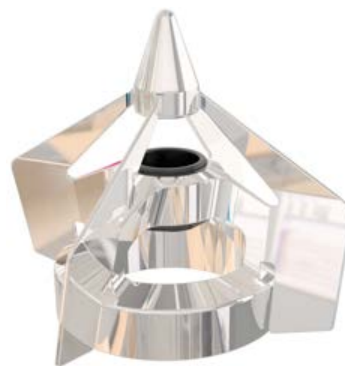
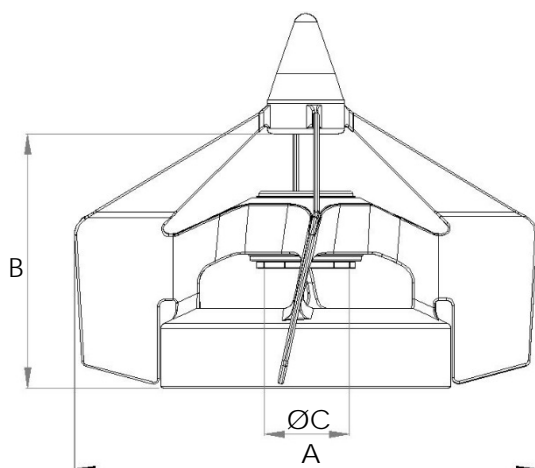


Metenova Mixer ZG8 Mix Head



Part #	Description	
ZG53509-00422	ZG8 Mix Head 316L SiC EP EPDM o-rings	
ZG00013-03138	Kalrez o-rings in lieu of EPDM	Option 1
ZG00013-03126	Silicone o-rings in lieu of EPDM	Option 2
ZG00013-03132	Viton o-rings in lieu of EPDM	Option 3

General information

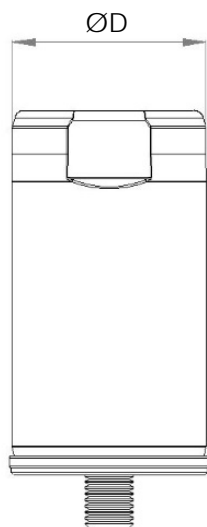
A mm (in)	B mm (in)	Id Female Sleeve ØC mm (in)	Weight kg (lb)
236 (9.29)	131.0 (5.16)	40 (1.57)	4.2 (9.2)

Material:	Stainless Steel AISI 316L (1.4404)
Female Sleeve:	Silicon Carbide (SiC)
O-rings:	FDA & USP class VI * compliant EPDM
Surface Roughness:	Ra ≤ 0.5 µm (20 µin)
Surface Treatment:	Electro polished. Non animal origin polishing compounds are used.
Operating Temp:	5°C - 150°C (41°F - 302°F)
pH Range:	1 - 14

* Also applicable for optional o-rings

- Items are individually packed and for traceability purposes marked with item & id no.
- Metenova Quality Assurance System ensures the quality and traceability at all stages of the process.

Metenova Mixer ZG Male Post



Part #	Description	
ZG00507-00329	ZG- Male Post 40mm SiC EP EPDM o-ring	
ZG00013-03135	Kalrez o-ring in lieu of EPDM	Option 1
ZG00013-03123	Silicone o-ring in lieu of EPDM	Option 2
ZG00013-03129	Viton o-ring in lieu of EPDM	Option 3

General information

Od Male Post
ØD mm (in)

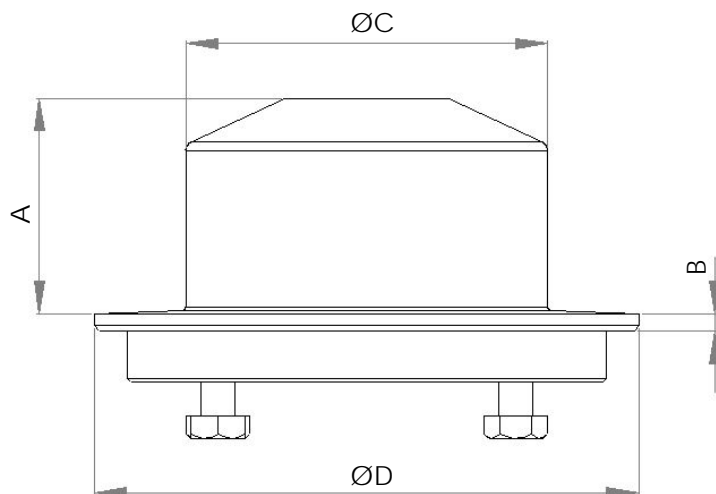
40 (1.57)

Material wetted parts: Silicon Carbide (SiC)
 O-ring: FDA & USP class VI * compliant EPDM
 Surface Roughness: $R_a \leq 0.5 \mu\text{m}$ (20 μin)
 Operating temp: $5^{\circ}\text{C} - 150^{\circ}\text{C}$ ($41^{\circ}\text{F} - 302^{\circ}\text{F}$)
 pH Range: 1 – 14

* Also applicable for optional o-ring

- Items are individually packed and for traceability purposes marked with item & batch no.
- Metenova Quality Assurance System ensures the quality and traceability at all stages of the process.

Metenova Mixer ZG8 Tank Plate



Part #	Description
ZG53506-00343	ZG8 Tank Plate 316L Welded

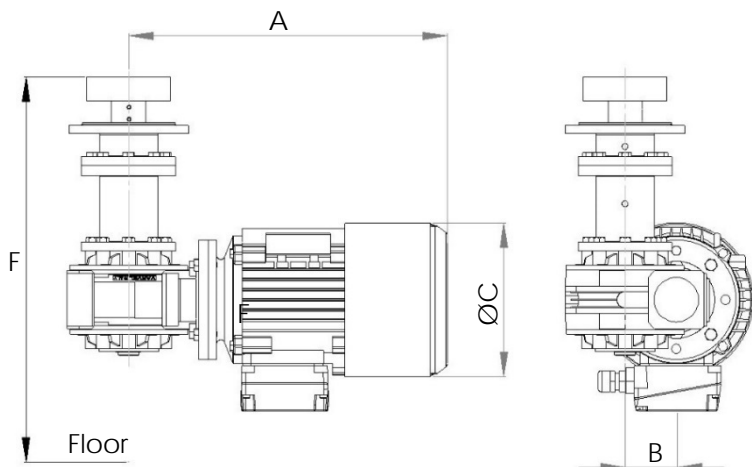
General information

A mm (in)	B mm (in)	ØC mm (in)	Welding Diameter ØD mm (in)	Weight kg (lb)
63 (2.48)	5 (0.20)	106 (4.17)	159.5 (6.28)	5.1 (11.2)

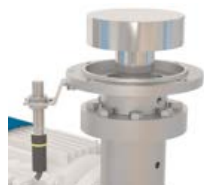
Material:	Stainless Steel AISI 316L (1.4404) ASME SA-479 EN10272 (PED)
Certificate:	3.1
Surface Roughness:	Ra ≤ 0.5 µm (20 µin)
Surface Treatment:	Manually polished. Non animal origin polishing compounds are used.
Operating Temp:	5°C - 150°C (41°F - 302°F)
pH Range:	1 - 14
Design Pressure:	-1 - 10 barg (-14.7 - 103 psig)

- Items are individually packed and for traceability purposes marked with item & id no.
- Metenova Quality Assurance System ensures the quality and traceability at all stages of the process.

Metenova Mixer ZG8 Drive Unit



Option 1: RPM Sensor, Mix Head



Option 2: RPM Sensor, Shaft reading



Option 3: Lowering Device



Part #	Description	
ZG53502-00431	ZG8 Drive Unit AC, E100	
ZG00014-03083	RPM Sensor, Mix Head	Option 1
ZG00014-03193	RPM Sensor, Shaft	Option 2
ZG53502-02009	ZG8 Lowering Device E100	Option 3

A mm (in)	B mm (in)	ØC mm (in)	F mm (in)	Weight kg (lb)
373 (14.92)	60 (2.36)	180 (7.1)	500 (19.7)	31.0 (68.2)

Motor: 2.2 kW/ 2.95 hp @ 50 Hz / 2.5 kW/ 3.35 hp @ 60 Hz (2-pole - 10:1 Gear Box)
Voltage: Δ230 / Y400 VAC @ 50Hz / Y460 VAC @ 60Hz (±5%)
Current: 8.2A @ 230V/50Hz - 4.7A @ 400V/50Hz - 4.5A @ 460V/60Hz
Efficiency Performance Class: IE2
Thermistors: 2
Certified: CE / C-UL-US
Protection class: IP 55
Environment temp: 0°C - 40°C (32°F - 104°F)
Min - Max rpm: 34 - 343
Color: In compliance with FDA
Gear box oil: Food grade in compliance with FDA



- VFD with soft start must be used when operating the mixer.
- Items are individually packed and for traceability purposes marked with item & id no.
- Metenova Quality Assurance System ensures the quality and traceability at all stages of the process.

Option 1: RPM Sensor, Mix Head

Pulses/turn: 1
Output function: 3-wire, NO contact PNP
Indicator: Yellow LED
Temperature range: -25°C-70°C (-13°F-158°F)
Operating voltage: 10..65 VDC
Protection class: IP67

Option 2: RPM Sensor, Shaft

Pulses/turn: 4
Output function: 4-wire, NO/NC contacts PNP
Indicator: Yellow LED
Temperature range: -25°C-70°C (-13°F-158°F)
Operating voltage: 10..30 V
Protection class: IP67

Option 3: Lowering Device

Allows preventative maintenance of Mix Head and Male Post without having to remove the Drive Unit from the tank.

Metenova AB.
 Norra Ägatan 32
 431 35 Mölndal Sweden
 Phone +46 31 3359500

www.metenova.com
info@metenova.com

Metenova America Inc.
 P.O. Box 398
 Glen Gardner, NJ 08826, USA
 Phone 908-537-4199