

Technical Specifications

Suitable for
EC spring-close actuators
standard and light spring

Air Consumption
400-600 NI/hr depending
on supply pressure

Size
Type A and HC4
DN8-50 (1/4" - 2")

IP Rating
IP54

Type
Pneumatic

Temperature
- 20°C to 80°C (- 4°F to 176°F)

Control Signal
0.2-1 bar (3-15 psi)

Weight
1.0 kg (2.2 lbs.)

Supply Pressure
4-6 bar (58-87 psi)

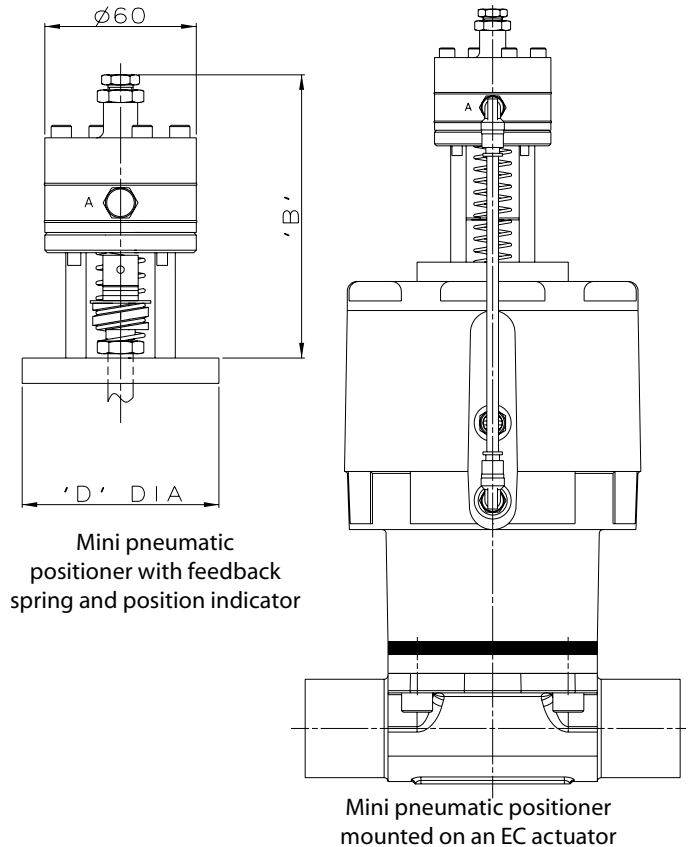
Material of Construction
Chrome-plated brass

Air Connections
1/8" BSP
1/8" NPT

Add-Ons
Inductive proximity sensors

Hysteresis
< +/- 1%

Sensitivity of Response
< 0.15%



Valve Size	D mm(in)	B mm(in)
DN8-25	60 (2.36)	123 (4.84)
DN40-50	80 (3.15)	143 (5.63)

www.cranechempharma.com

CRANE ChemPharma Flow Solutions, Saunders[®] • 9860 Johnson Road
Montgomery, Texas USA 77316 • Tel.: +1 936 588 8360 • Fax: +1 936 588 8302

IMPORTANT: CRANE Co. and its subsidiaries are not responsible for the accuracy, compliance, and legality of material contained in this datasheet offered in print, on the company websites, or via any external links, or third party sites.

