

## Technical Specifications

**Suitable for**  
EC spring-close actuators  
standard and light spring

**Size**  
Type A and HC4  
DN8-50 (1/4" - 2")

**Type**  
Electropneumatic

**Control Signal**  
0/4-20mA  
0-20mA

**Supply Pressure**  
4-6 bar (58-87 psi)

**Air Connections**  
1/8" BSP  
1/8" NPT

**Conduit Entry**  
PG7 gland

**Add-Ons**  
Inductive proximity sensors

**Hysteresis**  
< +/- 1%

**Sensitivity of Response**  
< 0.15%

**Air Consumption**  
400-600 NI/hr depending  
on supply pressure

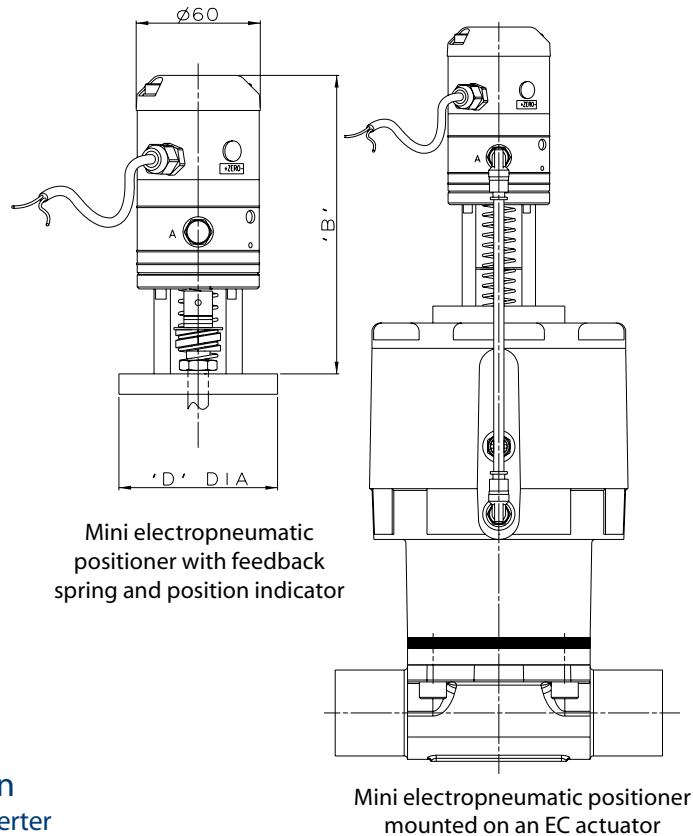
**IP Rating**  
IP54

**Temperature**  
- 20°C to 60°C  
(- 4°F to 140°F)

**Weight**  
1.3 kg (2.8 lbs.)

**Material of Construction**  
Chrome-plated brass IP converter  
Anodised aluminium/POM

**Options**  
Intrinsically safe EEx ib IIC T6



Valve Size	D mm (in)	B mm (in)
DN8-25	60 (2.36)	155 (6.10)
DN40-50	80 (3.15)	175 (6.89)

www.cranechempharma.com

CRANE ChemPharma Flow Solutions, Saunders<sup>®</sup> • 9860 Johnson Road  
Montgomery, Texas USA 77316 • Tel.: +1 936 588 8360 • Fax: +1 936 588 8302

IMPORTANT: CRANE Co. and its subsidiaries are not responsible for the accuracy, compliance, and legality of material contained in this datasheet offered in print, on the company websites, or via any external links, or third party sites.

**CRANE**<sup>®</sup>