

Technical Specifications

Suitable for

EC spring-close actuators
EC spring-open actuators

Size

Type A and AFP
DN8-50 (1/4" - 2")

Type

Electropneumatic
(Digital)

Power Supply

24V DC

Control Signal

0/4-20mA
0-10V
(split range option)

Supply Pressure

4-6 bar
(58-87 PSI)

Air Connections

1/8" BSP
1/8" NPT

Conduit Entry

PG7 gland

Hysteresis

< +/- 1%

Sensitivity of Response

0.5%

IP Rating

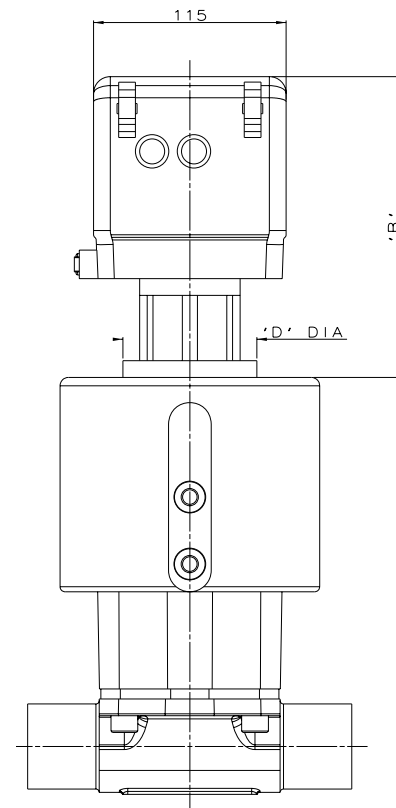
IP65

Temperature

- 20°C to 75°C
(- 4°F to 167°F)

Weight

1.0 kg (2.2 lbs.)



| Valve Size | D mm(in) | B mm(in) |
|------------|-------------|-------------|
| DN8-25 | 60 (2.36) | 187 (7.36) |
| DN40-50 | 80 (3.15) | 207 (8.15) |

www.cranechempharma.com

CRANE ChemPharma Flow Solutions, Saunders[®] • 9860 Johnson Road
Montgomery, Texas USA 77316 • Tel.: +1 936 588 8360 • Fax: +1 936 588 8302

IMPORTANT: CRANE Co. and its subsidiaries are not responsible for the accuracy, compliance, and legality of material contained in this datasheet offered in print, on the company websites, or via any external links, or third party sites.

CRANE[®]